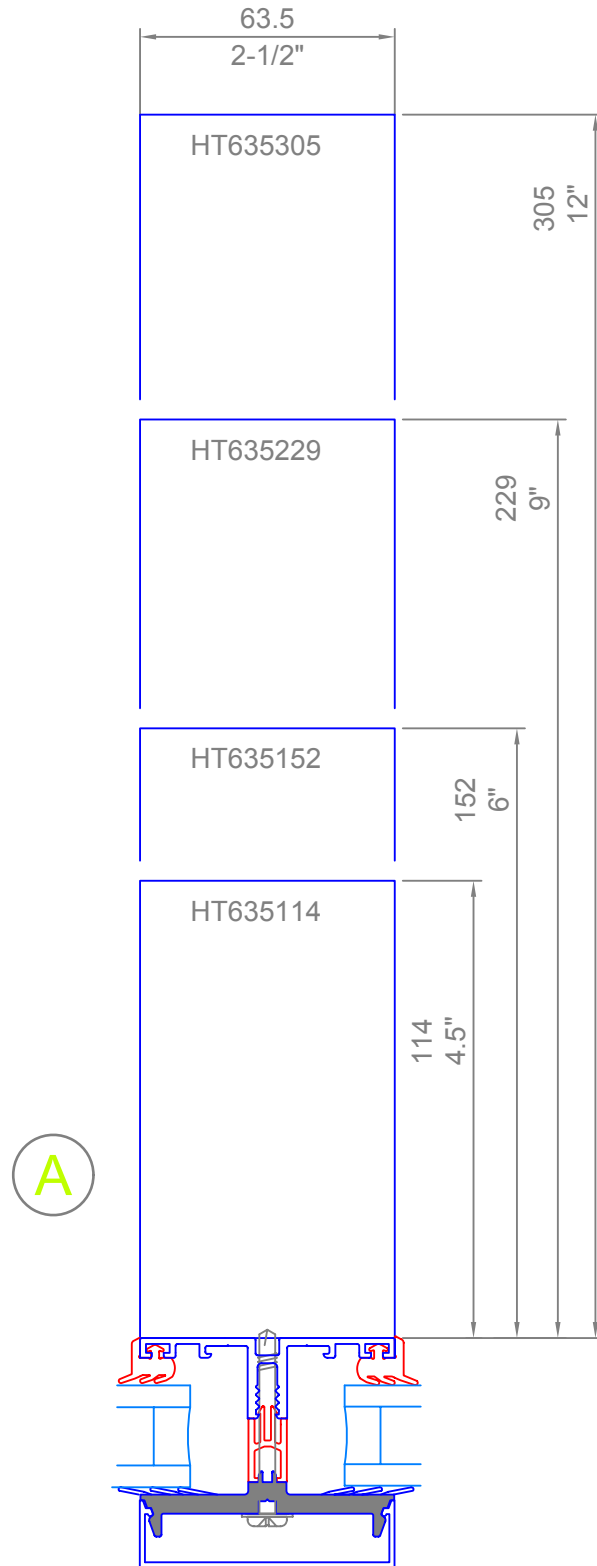
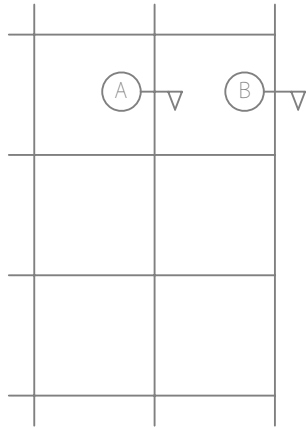


HCW.A.101

10.08

SERIES 3 Hybrid Curtain Wall General Arrangement - Mullions



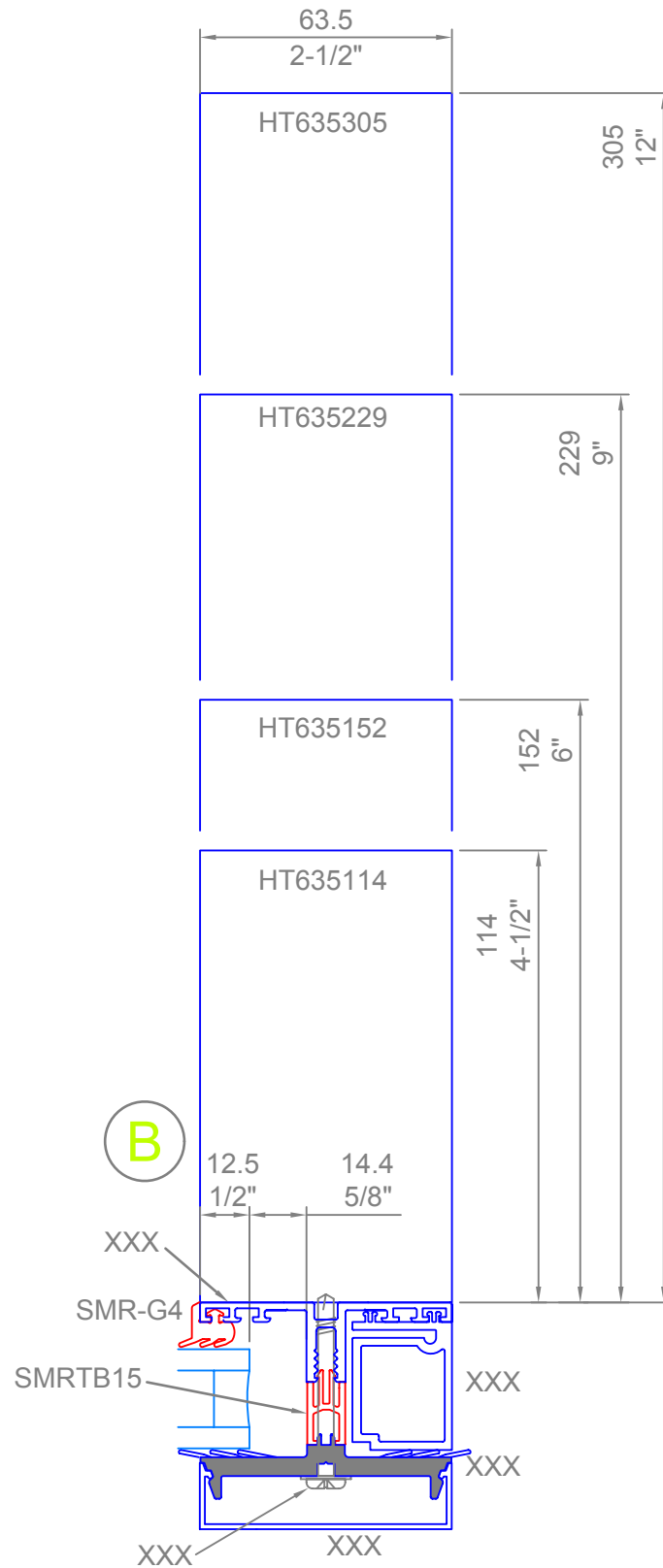
Half Full Size

Hybrid Curtain Wall

General Arrangement - Jamb

HCW.A.102

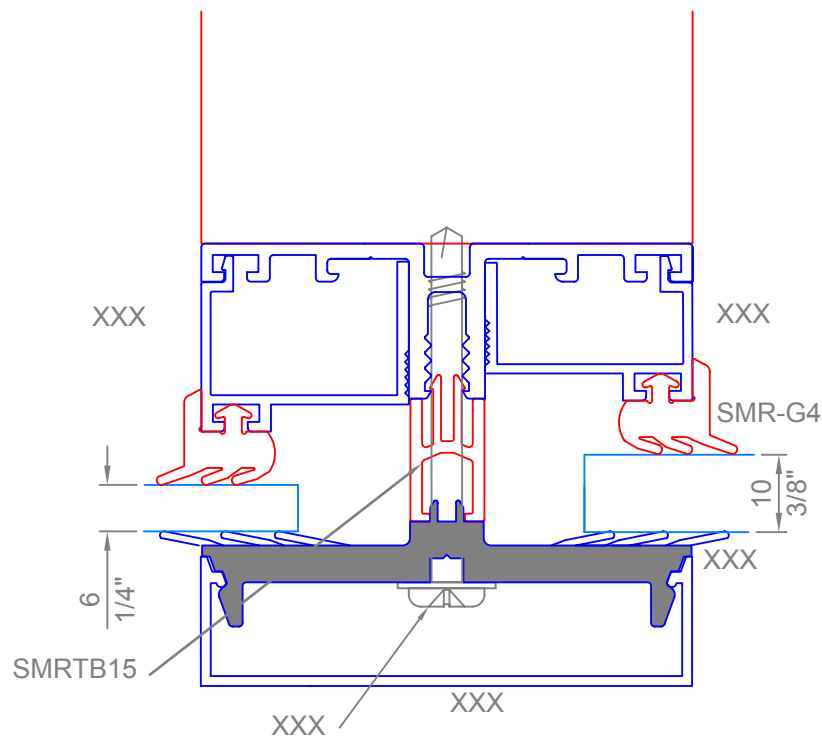
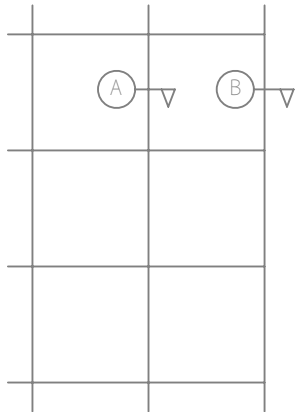
10.08



Half Full Size

Hybrid Curtain Wall

General Arrangements - Single Glaze Adaptors



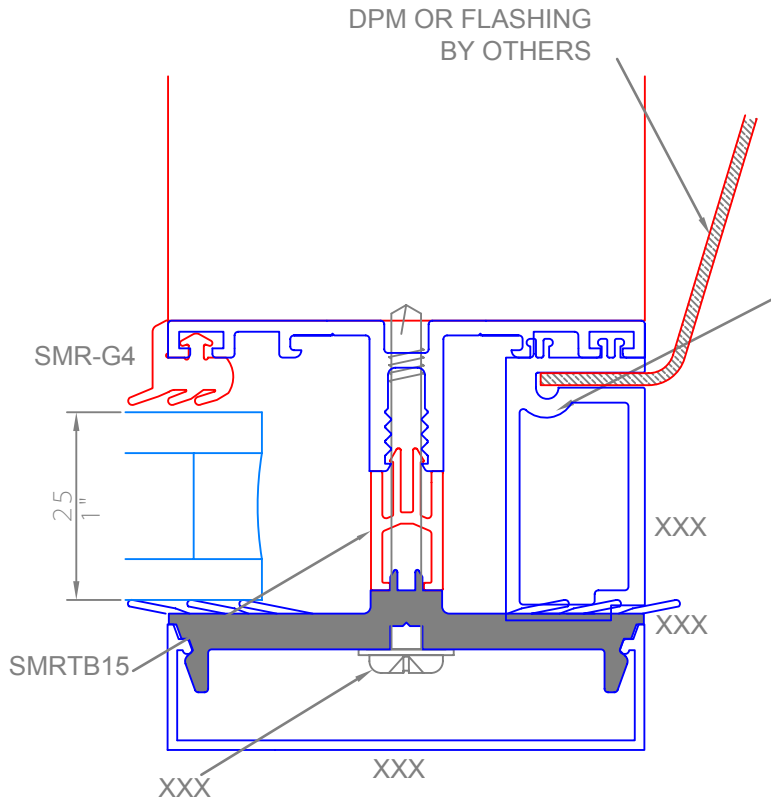
A2

Hybrid Curtain Wall

General Arrangement - Closers and Adaptors

SERIES 3
HCW.A.102

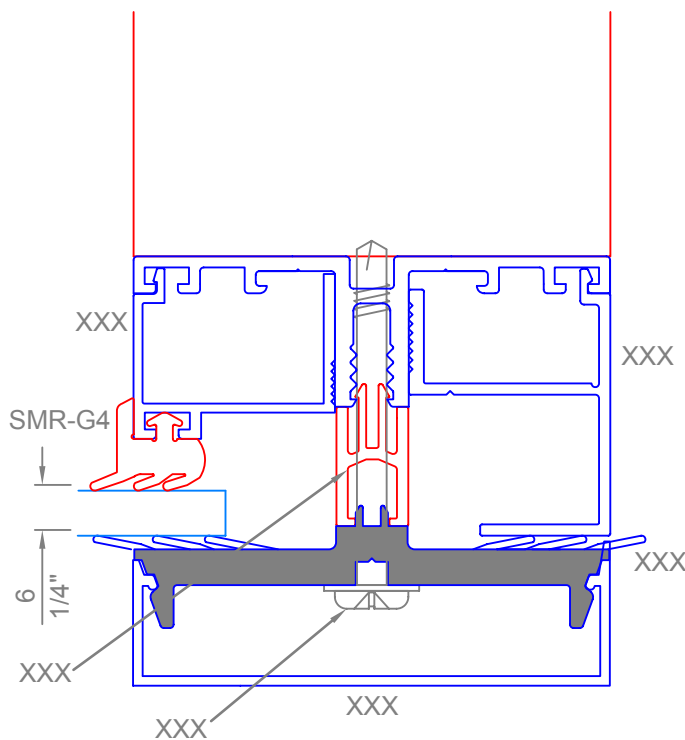
11.09



SCREW FIXING OR
SUITABLE ADHESIVE

FIXINGS TO SUIT
MEMBRANE/FLASHING
MATERIAL. ANY
ADHESIVE MUST BE
SUITABLE FOR
SMP002 (RIGID PVC) AND
MEMBRANE/FLASHING
MATERIAL.

B1

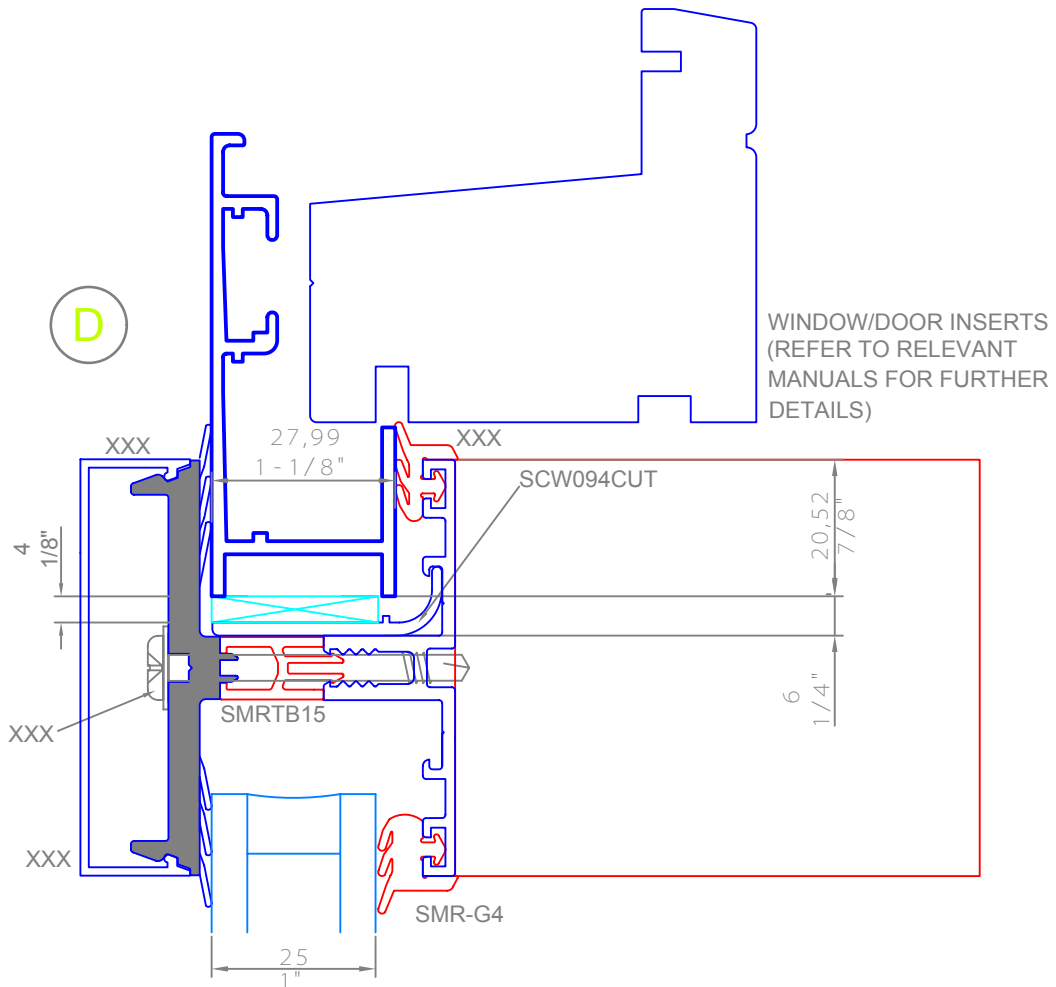
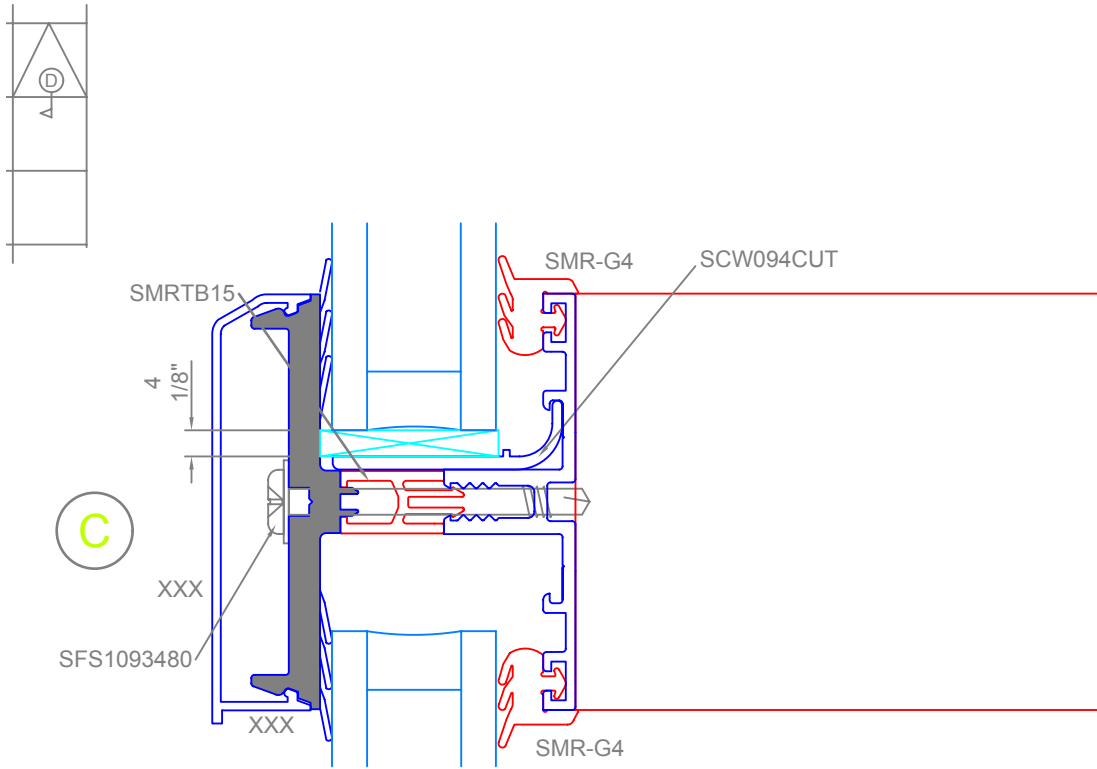


B2

V.A.103

SERIES 3 Hybrid Curtain Wall

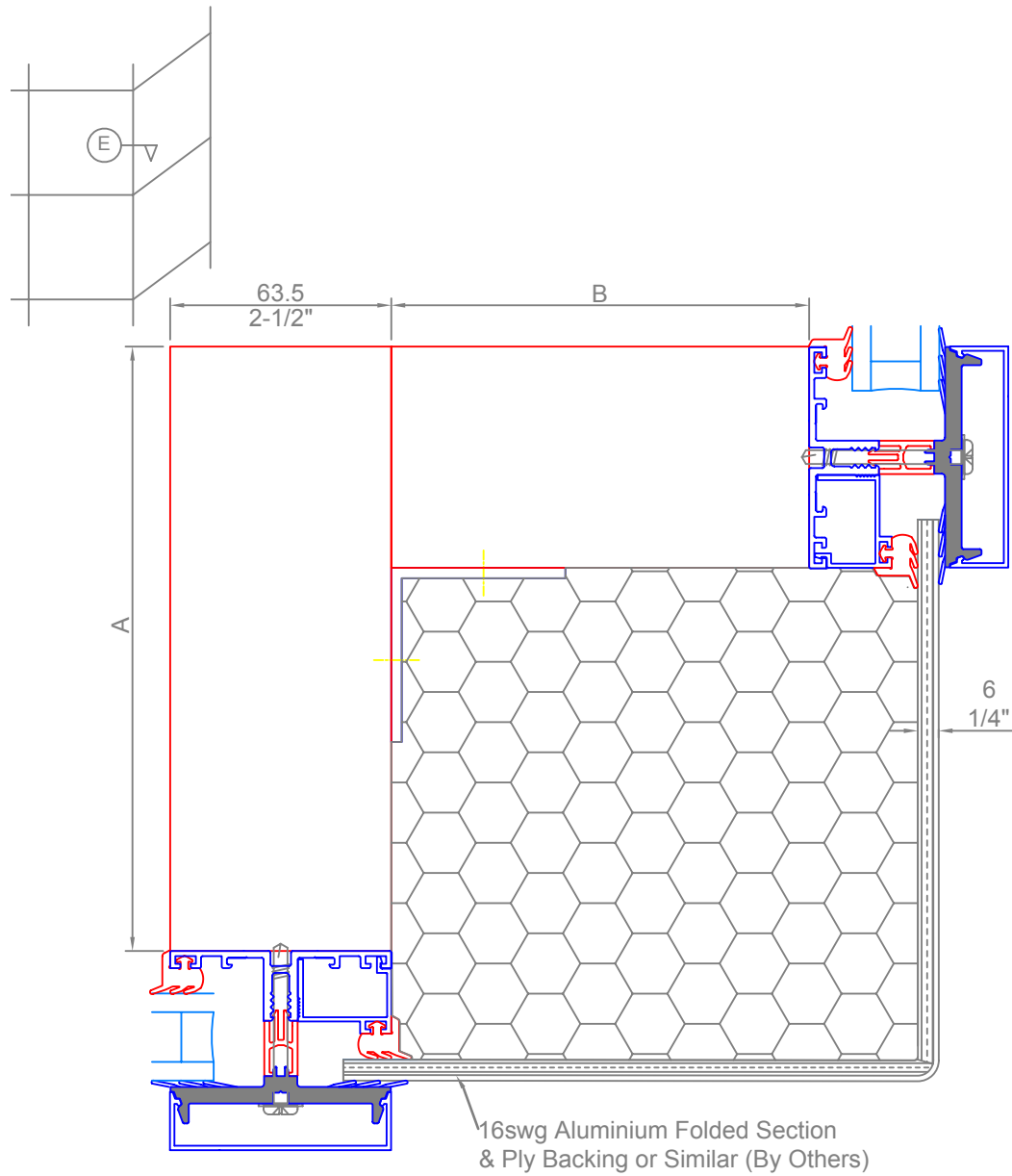
General Arrangement - Transoms and Window/Door Inserts



SERIES 3 Hybrid Curtain Wall General Arrangement - Double Glazed 90° Corner

HCW.A.104

10.08



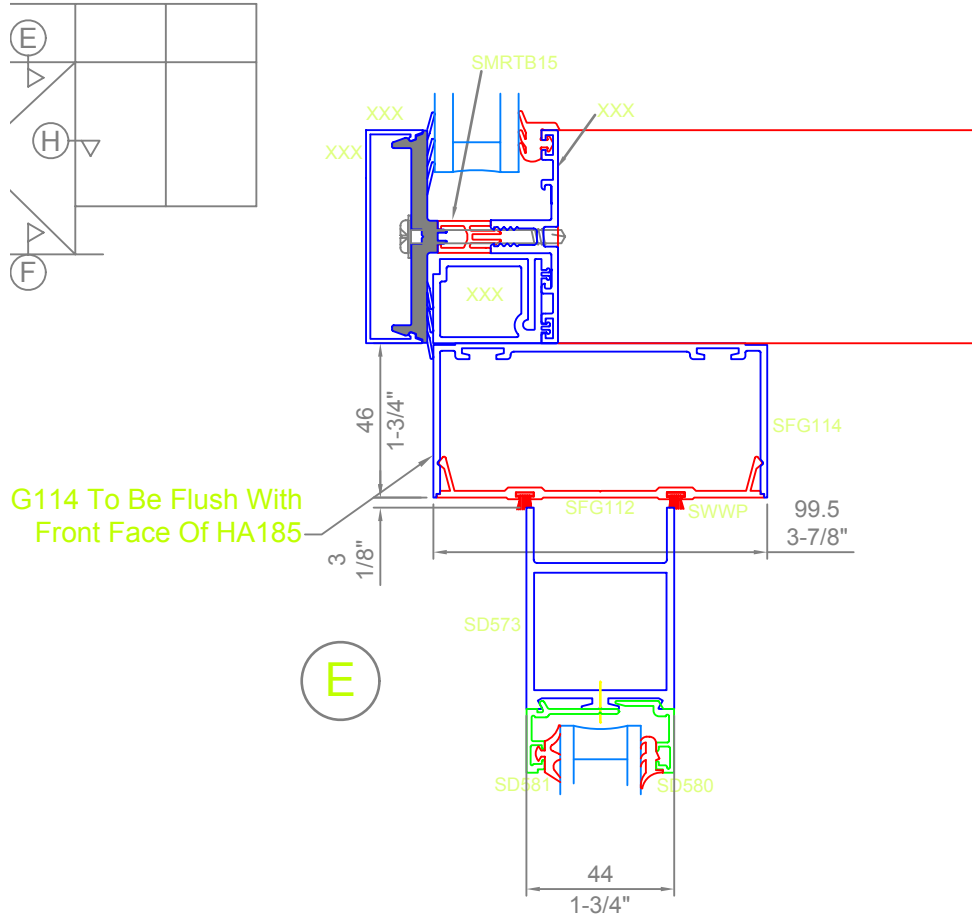
A	B
300	220
220	160
160	120
120	80
80	80

Half Full Size

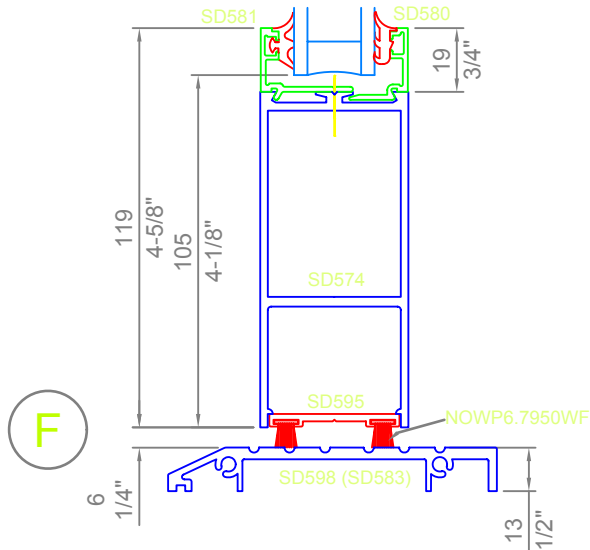
SERIES 3 Hybrid Curtain Wall

V.A.105

General Arrangement - SD Door Insert Into Curtain Wall - Head & Cill



REFER TO SFG & SD MANUAL
FOR DOOR LEAF AND
THRESHOLD OPTIONS



SERIES 3 Hybrid Curtain Wall

HCW.A.108

General Arrangement - SD Door Insert Into Curtain Wall - Jambs

07.10

