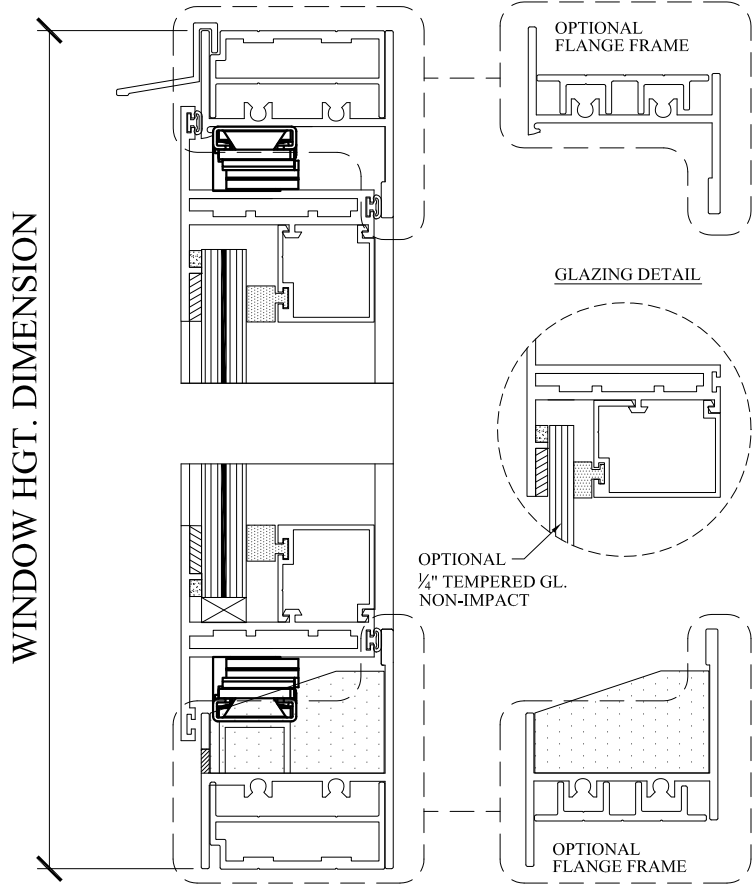


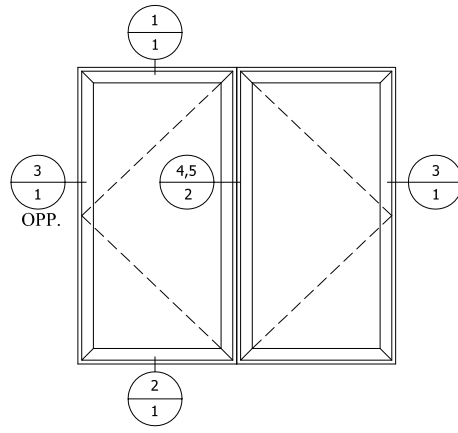
# 1 HEAD DETAIL

SUPERIOR SERIES 400 CASEMENT-IMPACT  
EQUAL LEG - 9/16" GLASS

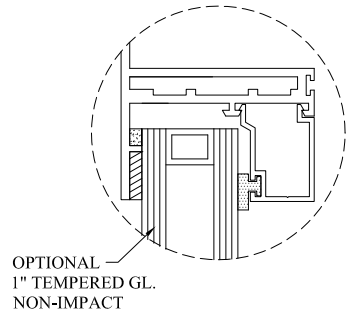


# ELEVATION VIEW

N.T.S.

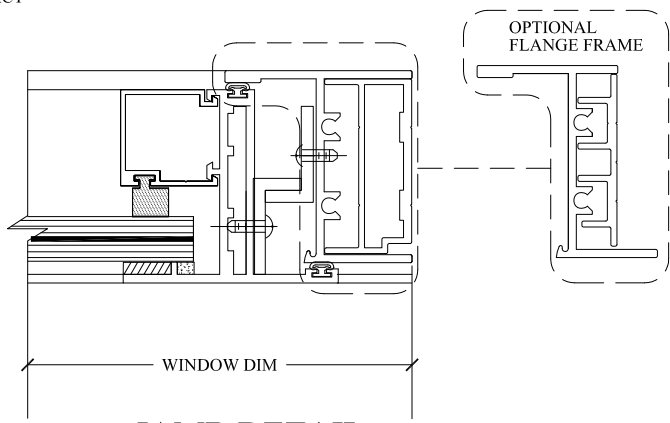


## GLAZING DETAIL



# 2 SILL DETAIL

SUPERIOR SERIES 400 CASEMENT-IMPACT  
EQUAL LEG - 9/16" GLASS



# 3 JAMB DETAIL

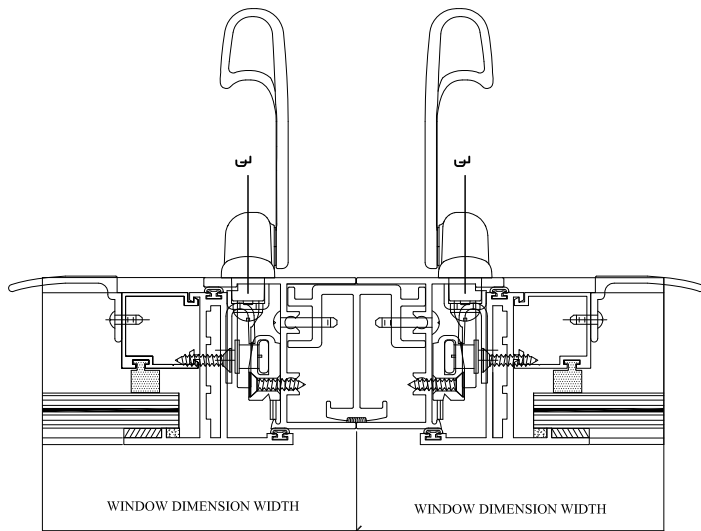
SUPERIOR SERIES 400 CASEMENT-IMPACT  
EQUAL LEG - 9/16" GLASS

CT WINDOWS PRODUCTS ARE MANUFACTURED WITH ALUMINUM, WHICH IS RECYCLABLE AND CONTRIBUTES TO LEED® CERTIFICATION AND GREEN BUILDINGS

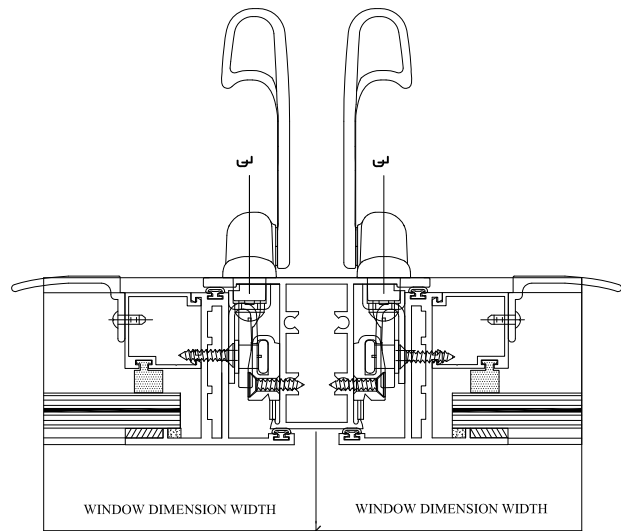
ESTABLISHED 1972

**CT WINDOWS**  
9195 BOGGY CREEK RD STE. 1  
ORLANDO FLORIDA 32824  
TEL - (407)857-9237  
FAX - (407)857-9247  
WWW.CTWINDOWSINC.COM  
E-MAIL: INFO@AATCTW.NET

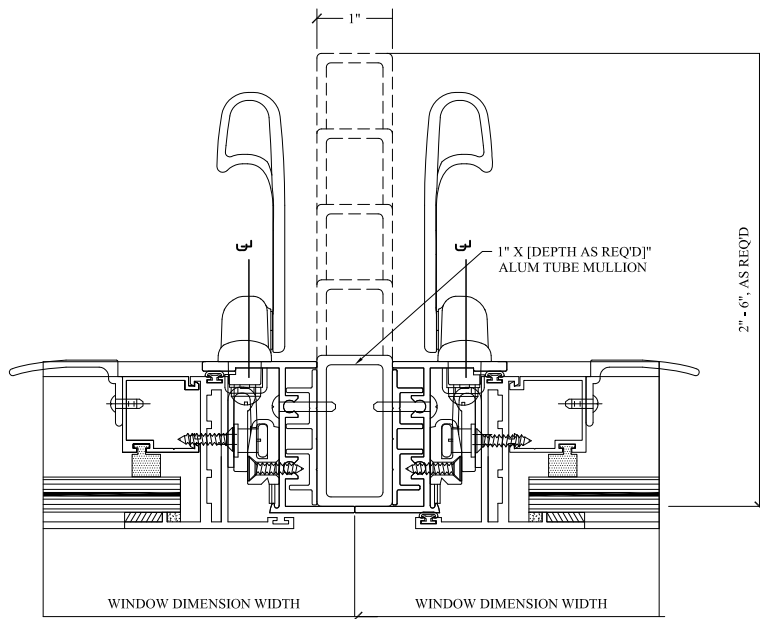
PRODUCT:	DRAWING DESCRIPTION
SUPERIOR SERIES 400 CASEMENT	HEAD, SILL, & JAMB DETAIL ELEVATION VIEW
DATE:	SK #
07/24/13	1 OF 3



**4 ZERO MULL DETAIL**  
 SUPERIOR SERIES 400 CASEMENT-IMPACT  
 EQUAL LEG - 9/16" GLASS

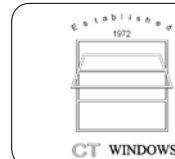


**6 ALTERNATE MULL DETAIL**  
 SUPERIOR SERIES 400 CASEMENT-IMPACT  
 EQUAL LEG - 9/16" GLASS



**5 TUBE MULLION OPTION**  
 SUPERIOR SERIES 400 CASEMENT-IMPACT  
 EQUAL LEG - 9/16" GLASS

CT WINDOWS PRODUCTS ARE  
 MANUFACTURED WITH ALUMINUM, WHICH  
 IS RECYCLABLE AND CONTRIBUTES TO  
 LEED® CERTIFICATION AND GREEN  
 BUILDINGS



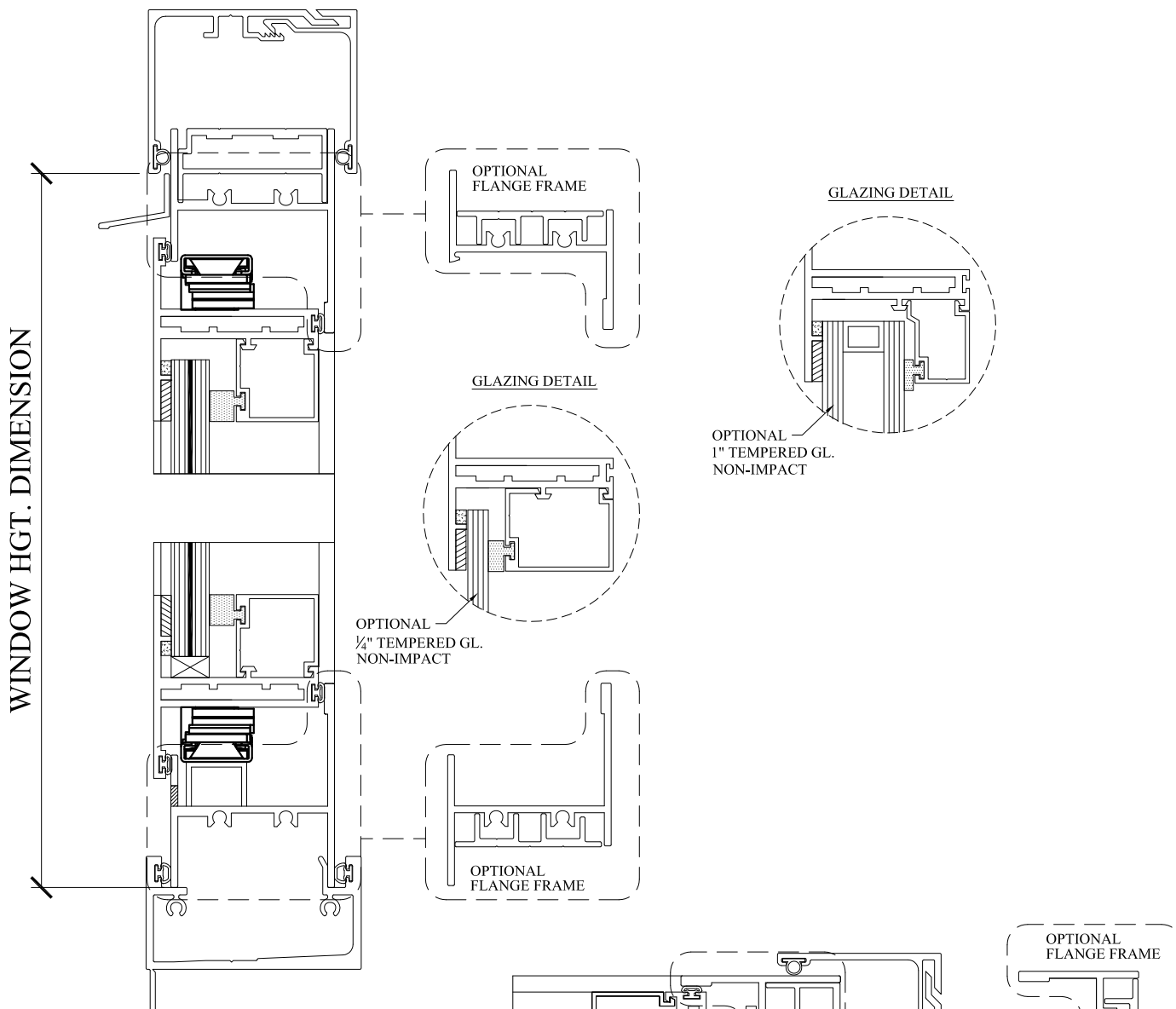
**CT WINDOWS**  
 9195 BOGGY CREEK RD STE. 1  
 ORLANDO FLORIDA 32824  
 TEL - (407)857-9237  
 FAX - (407)857-9247  
 WWW.CTWINDOWSSINC.COM  
 E-MAIL: INFO@AATCTW.NET

PRODUCT:		DRAWING DESCRIPTION	
SUPERIOR SERIES 400 CASEMENT		ZERO MULL, TUBE MULL, & ALTERNATE MULL DETAIL	
DATE:		SK #	
07/24/13		2 OF 3	

1

### HEAD DETAIL

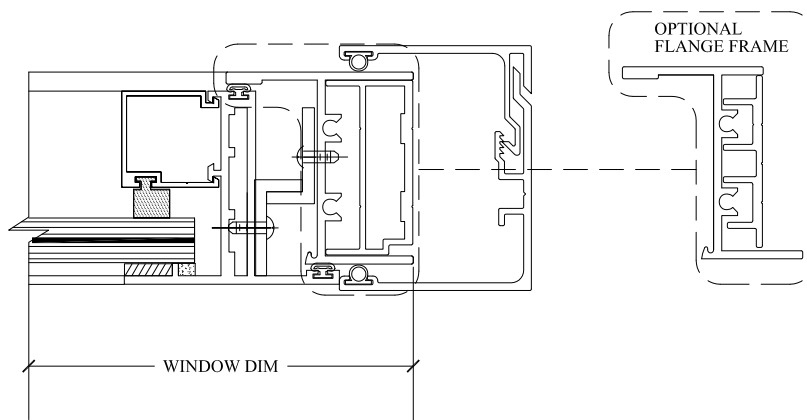
SUPERIOR SERIES 400 CASEMENT-IMPACT  
EQUAL LEG - 9/16" GLASS



2

### SILL DETAIL

SUPERIOR SERIES 400 CASEMENT-IMPACT  
EQUAL LEG - 9/16" GLASS



3

### JAMB DETAIL

SUPERIOR SERIES 400 CASEMENT-IMPACT  
EQUAL LEG - 9/16" GLASS

CT WINDOWS PRODUCTS ARE MANUFACTURED WITH ALUMINUM, WHICH IS RECYCLABLE AND CONTRIBUTES TO LEED® CERTIFICATION AND GREEN BUILDINGS



#### CT WINDOWS

9195 BOGGY CREEK RD STE. 1  
ORLANDO FLORIDA 32824

TEL - (407)857-9237  
FAX - (407)857-9247

WWW.CTWINDOWSINC.COM  
E-MAIL: INFO@AATCTW.NET

PRODUCT:		DRAWING DESCRIPTION	
SUPERIOR SERIES 400 CASEMENT		HEAD, SILL, & JAMB DETAIL w/ RECEPTS	
DATE:		SK #	
07/24/13		3 OF 3	