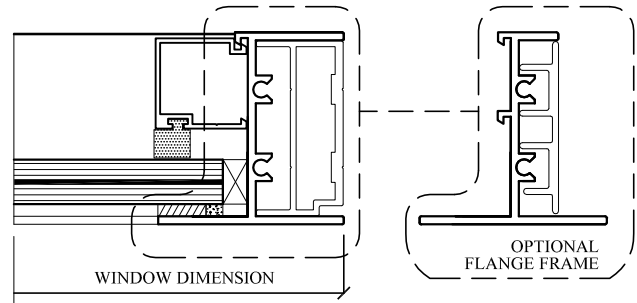
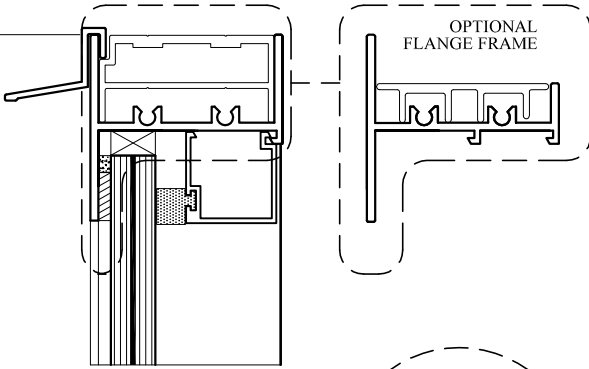
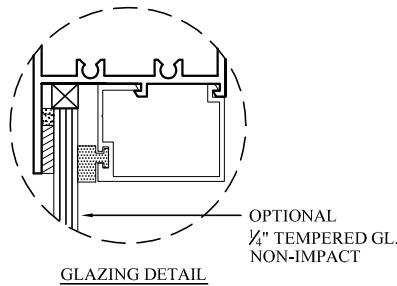


1 HEAD DETAIL
 SERIES 500 FIXED-IMPACT
 EQUAL LEG



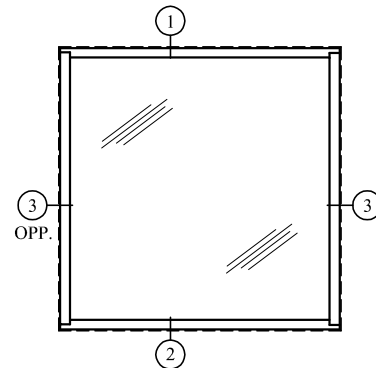
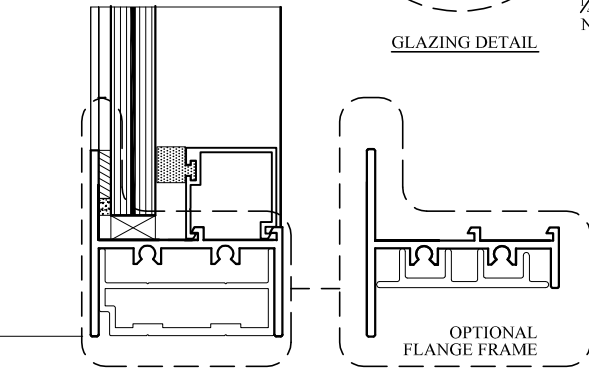
3 JAMB DETAIL
 SERIES 500 FIXED-IMPACT
 EQUAL LEG



GLAZING DETAIL

OPTIONAL
 1/4" TEMPERED GL.
 NON-IMPACT

2 SILL DETAIL
 SERIES 500 FIXED-IMPACT
 EQUAL LEG



ELEVATION VIEW
 SERIES 500 FIXED-IMPACT
 EQUAL LEG

SW SUPERIOR WINDOW
 PRODUCTS ARE MANUFACTURED
 WITH ALUMINUM, WHICH IS RECYCLABLE
 AND CONTRIBUTES TO LEED®
 CERTIFICATION AND GREEN BUILDINGS

SW
SUPERIOR
WINDOW CORP.
 9875 N.W. 79TH AVENUE
 HIALEAH GARDENS, FL. 33016

TEL - (305)826-4800
 FAX - (305)826-7499
 WWW.SUPERIORWINDOW.COM
 E-MAIL: EDITH@SUPERIORWINDOW.COM

PRODUCT:		DRAWING DESCRIPTION	
SWC SERIES 500 FIXED		HEAD, SILL, & JAMB DETAIL ELEVATION VIEW	
DATE:		SK #	
07/26/11		1 OF 1	