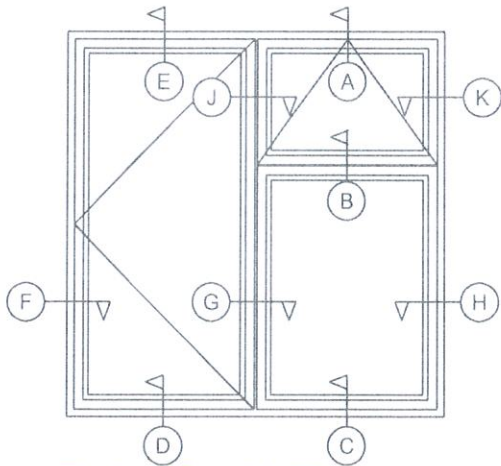


# HC.A.201

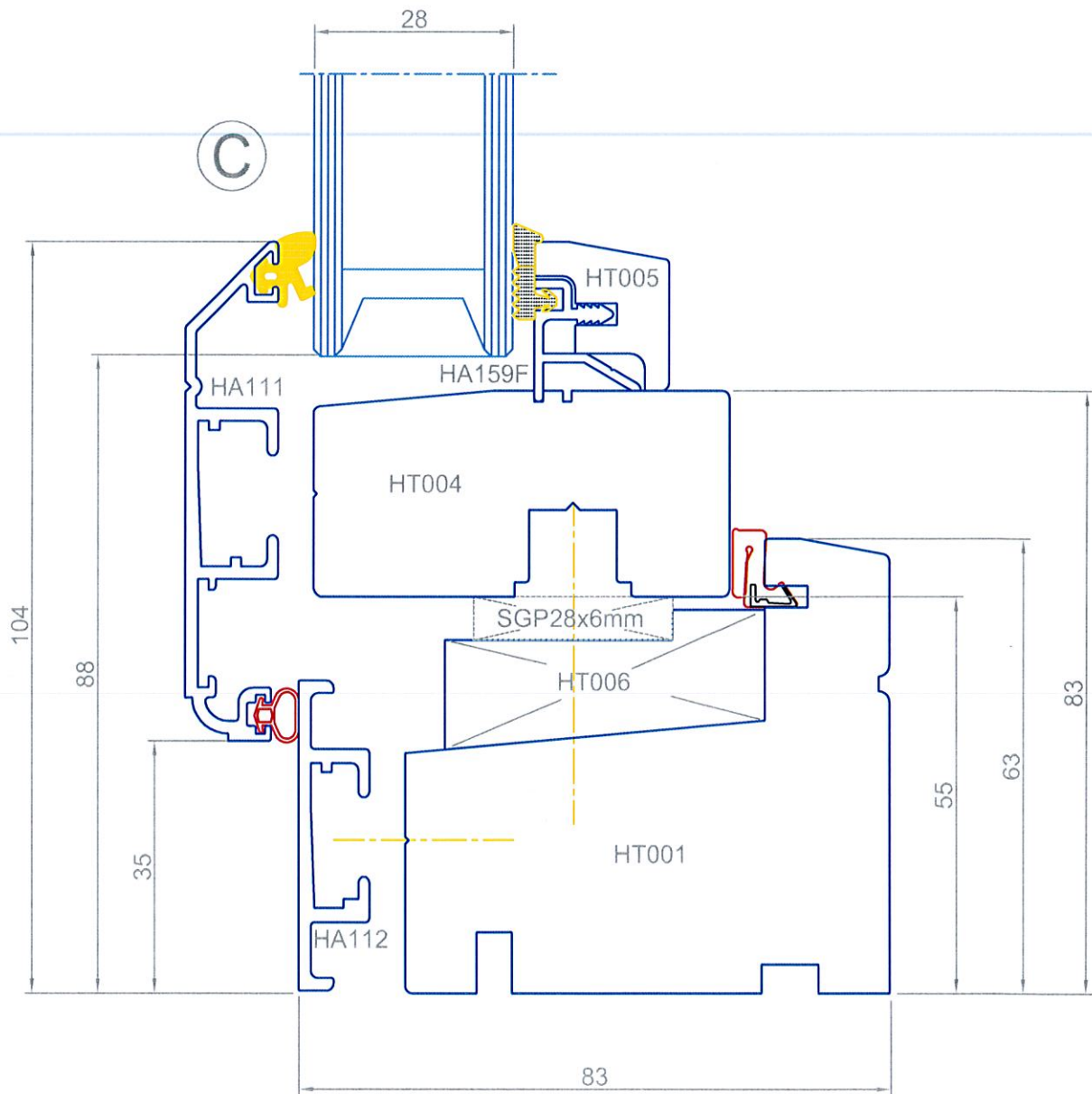
11.09

# SERIES 1 Hybrid Casement

## Horizontal Cross Section - Fixed Light Int. Glazed



Typical Outside Elevation



NOTE: FOR CILL DETAIL REFER TO DRAINAGE SECTION 'D'